

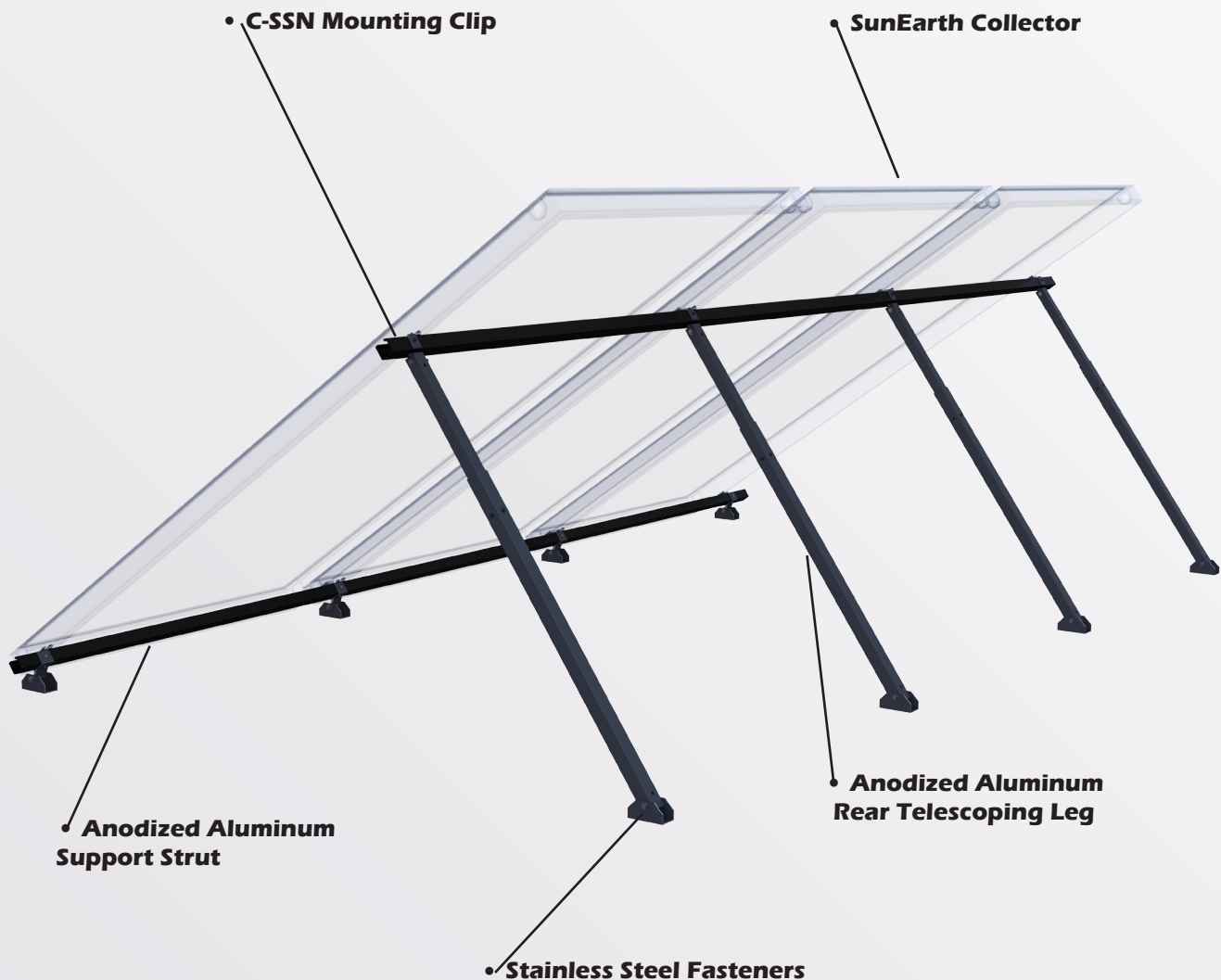


**SUN EARTH INC.**

**REXRACK**

Specification Sheet

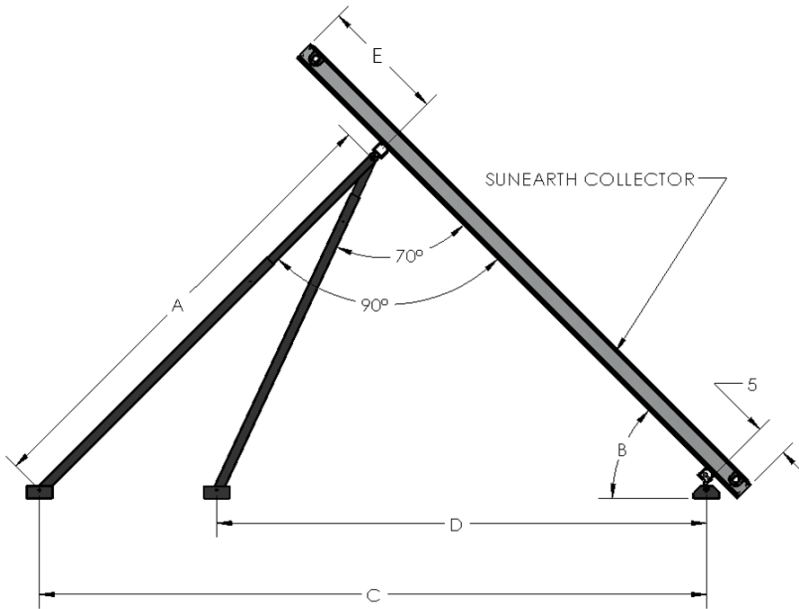
## ADAPTABLE, SCALEABLE, INTUITIVE, REXRACK MOUNTING SYSTEM



**PROTECTING OUR ENVIRONMENT—SINCE 1978**

# SUN EARTH INC. REXRACK SPECIFICATIONS

RexRack Layout Dimensions  
(Distance Tables to Right Is In Inches For Tilt angle)



EP/EC-40, E = 24.5"

Tilt Angle	Leg Angle 90°		Leg Angle 70°	
	B	A	A	D
20	33.4	97.6	31.4	86.2
25	42.8	101.2	38.9	86.5
30	52.9	105.9	46.6	87.5
35	64.2	111.9	54.5	89.2
40	76.9	119.7	62.7	91.7
45	91.7	129.7	71.5	95.1
50	-	-	81.1	99.5
55	-	-	91.7	105.2
60	-	-	103.7	112.5

EP/EC-32/24, E = 19.625"

Tilt Angle	Leg Angle 90°		Leg Angle 70°	
	B	A	A	D
20	26.4	77.2	24.8	68.1
25	33.8	80.0	30.8	68.4
30	41.9	83.7	36.8	69.2
35	50.8	88.5	43.1	70.5
40	60.8	94.6	49.6	72.5
45	72.5	102.5	56.6	75.2
50	86.4	112.8	64.1	78.7
55	-	-	72.5	83.2
60	-	-	82.0	88.9

EP/EC-21, E = 14"

Tilt Angle	Leg Angle 90°		Leg Angle 70°	
	B	A	A	D
20	18.3	53.4	17.2	47.2
25	23.4	55.4	21.3	47.4
30	29.0	58.0	25.5	47.9
35	35.2	61.3	29.8	48.8
40	42.1	65.5	34.3	50.2
45	50.2	71.0	39.2	52.0
50	59.8	78.1	44.4	54.5
55	71.7	87.5	50.2	57.6
60	86.9	100.4	56.8	61.6

RexRack (rack will resist the tabulated loads on supported collector(s) in psf (lbs/ft<sup>2</sup>), [uplift, down force] FOS 1.5

Collector	Tilt Angle (° from horizontal)									
	15°	20°	25°	30°	35°	40°	45°	50°	55°	60°
EP/EC 21	151, 216	151, 216	151, 216	151, 216	151, 216	151, 216	151, 216	141, 202	141, 235	141, 212
EP/EC 24, SB-24-0.75	129, 185	129, 185	129, 185	129, 185	129, 185	129, 185	129, 97	121, 174	121, 141	121, 97
EP/EC 32, SB-32-0.75	97, 140	97, 140	97, 140	97, 140	97, 140	97, 140	97, 114	91, 131	91, 107	91, 73
EP/EC 32-1.5	97, 140	97, 140	97, 140	97, 140	97, 140	97, 140	97, 114	91, 131	91, 107	91, 73
EP/EC 40, SB-40-0.75	78, 112	78, 112	78, 112	78, 112	78, 112	78, 91	78, 42	73, 73	73, 49	73, 29
EP/EC 40-1.5	78, 112	78, 112	78, 112	78, 112	78, 112	78, 91	78, 42	73, 73	73, 49	73, 29

## ENGINEERING SPECIFICATIONS

### Installation

Designed for collectors mounted in portrait orientation only. Collectors tilt angle between 20° and 60° from horizontal. Upper support strut to be installed 20% of collector length from the upper short end. Lower support strut to be installed no less than 6 inches from the lower short end. The rear leg is to be no less than 70° and no more than 90° in respect to the collector.

### Materials

Support Struts and legs shall be constructed of AISI 6063 T6 anodized aluminum with collector connection interfaces consisting of an integral channel

as to allow flexibility of collector position laterally. Mounting fasteners shall be constructed of AISI 304 stainless steel with all bolt assemblies including a mechanical fastener lock. Mounting shall allow collectors to be affixed without intrusion of the collectors casing.

### Application

Mounting shall be adjustable as to allow collector tilt angles, from horizontal, between 20° and 60°. Mounting shall allow collectors to be installed in a portrait orientation allowing easy alignment of the collector headers.

SunEarth's policy of continuous product improvement may result in changes to specifications without notice. Please verify currency of specification.

MANUFACTURED BY:



**SUN EARTH INC.**

8425 Almeria Ave. • Fontana, CA 92335  
(909) 434-3100 • Fax (909) 434-3101

www.sunearthinc.com

AVAILABLE FROM: