



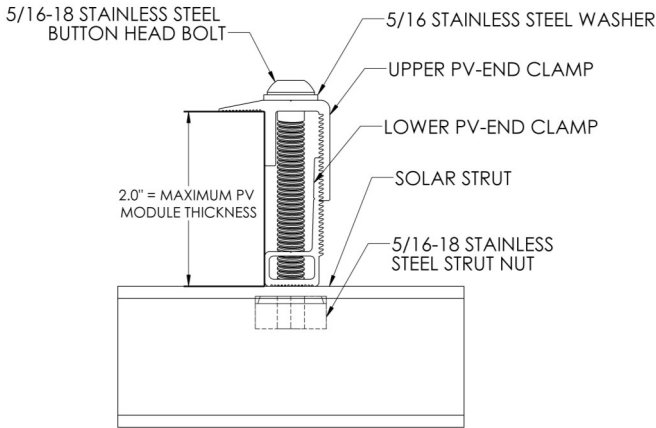
SUN EARTH INC.

8425 Almeria Avenue · Fontana CA 92335
Ph (909) 434-3100 · Fax (909) 434-3101

www.sunearthinc.com

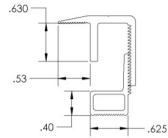
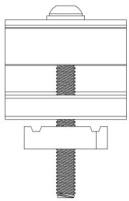
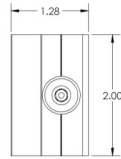
PHOTOVOLTAIC MODULE MOUNTING CLAMPS

PV End-Clamp Assembly

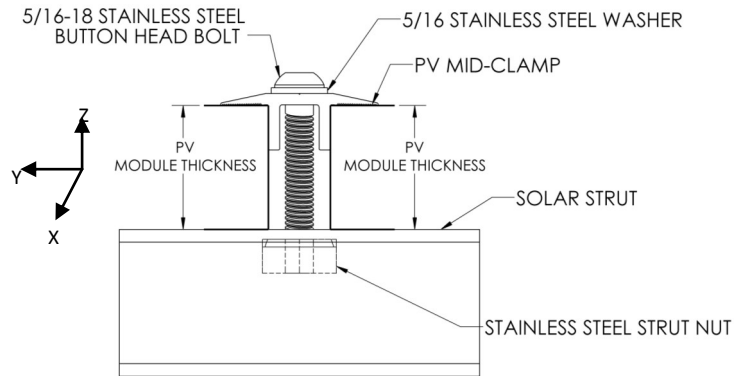


Fastener Torque

12 ft-lbs = 144 in-lbs.

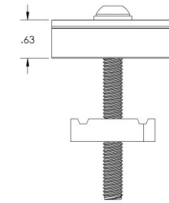
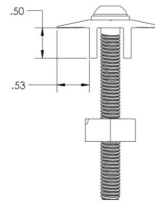
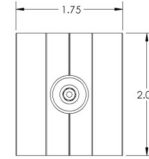


PV Mid-Clamp Assembly



Fastener Torque

12 ft-lbs = 144 in-lbs.



SunEarth PN	Module Thickness	Finish
PV-EC-2.75-CA	1.1" - 2.0"	Clear Anodized
PV-EC-2.75-BA	1.1" - 2.0"	Black Anodized

SunEarth PN	Module Thickness	Finish
PV-MC-2.75-CA	0.5" - 2.0"	Clear Anodized
PV-MC-2.75-BA	0.5" - 2.0"	Black Anodized

Assembly Parts List

Upper PV End-Clamp	6063-T6 Anodized Aluminum
Lower PV End-Clamp	6063-T6 Anodized Aluminum
5/16" X 18 Bolt	18-8 Stainless Steel
5/16" Washer	18-8 Stainless Steel
5/16" X 18 Strut Nut	316 Stainless Steel

Assembly Parts List

PV Mid-Clamp	6063-T6 Anodized Aluminum
5/16" X 18 Bolt	18-8 Stainless Steel
5/16" Washer	18-8 Stainless Steel
5/16" X 18 Strut Nut	316 Stainless Steel

Assemblies installed per the requirements stated above have a maximum load of 84 lbs. along the X-axis, 107 lbs. along the Y-axis and 313 lbs. along the Z-axis as shown above.

Factor of Safety = 1.5

Assemblies installed per the requirements stated above have a maximum load of 91 lbs. along the X-axis, 83 lbs. along the Y-axis and 400 lbs. along the Z-axis as shown above.

Factor of Safety = 1.5