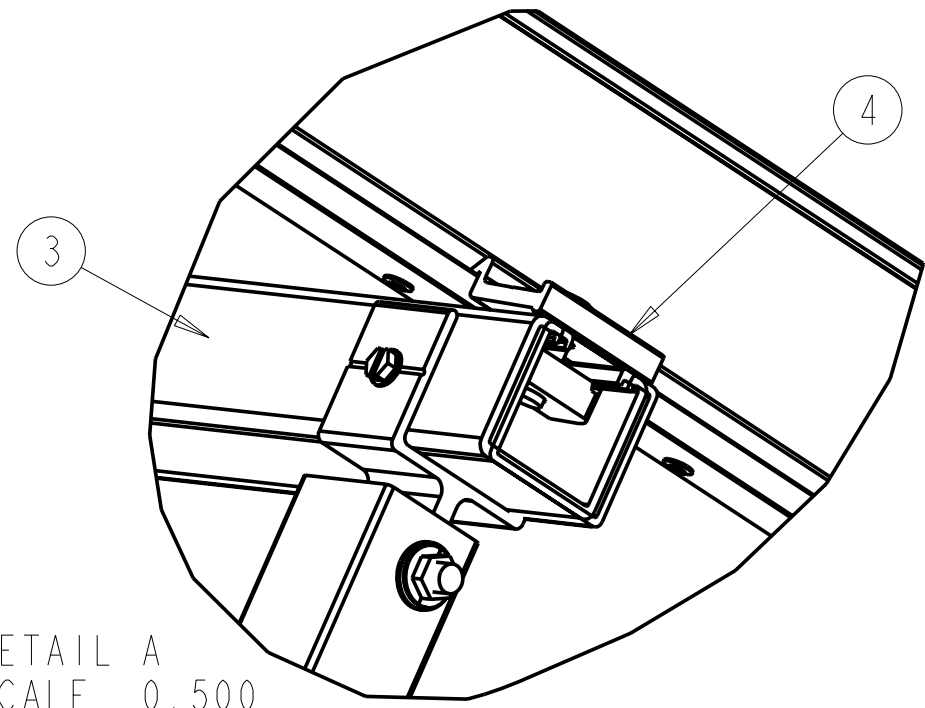
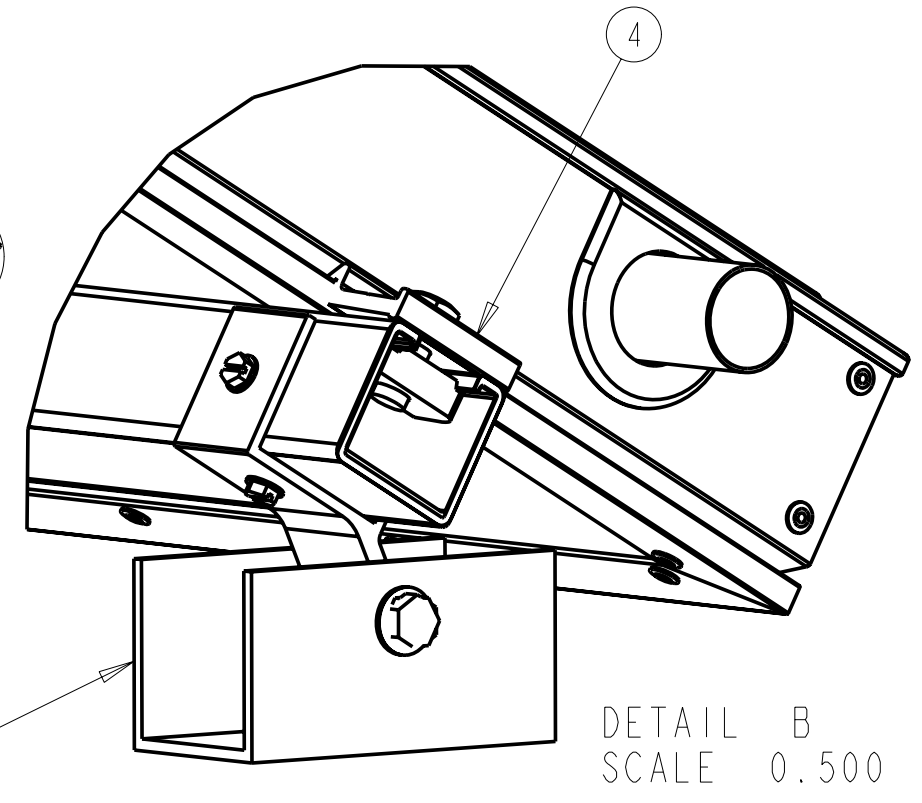
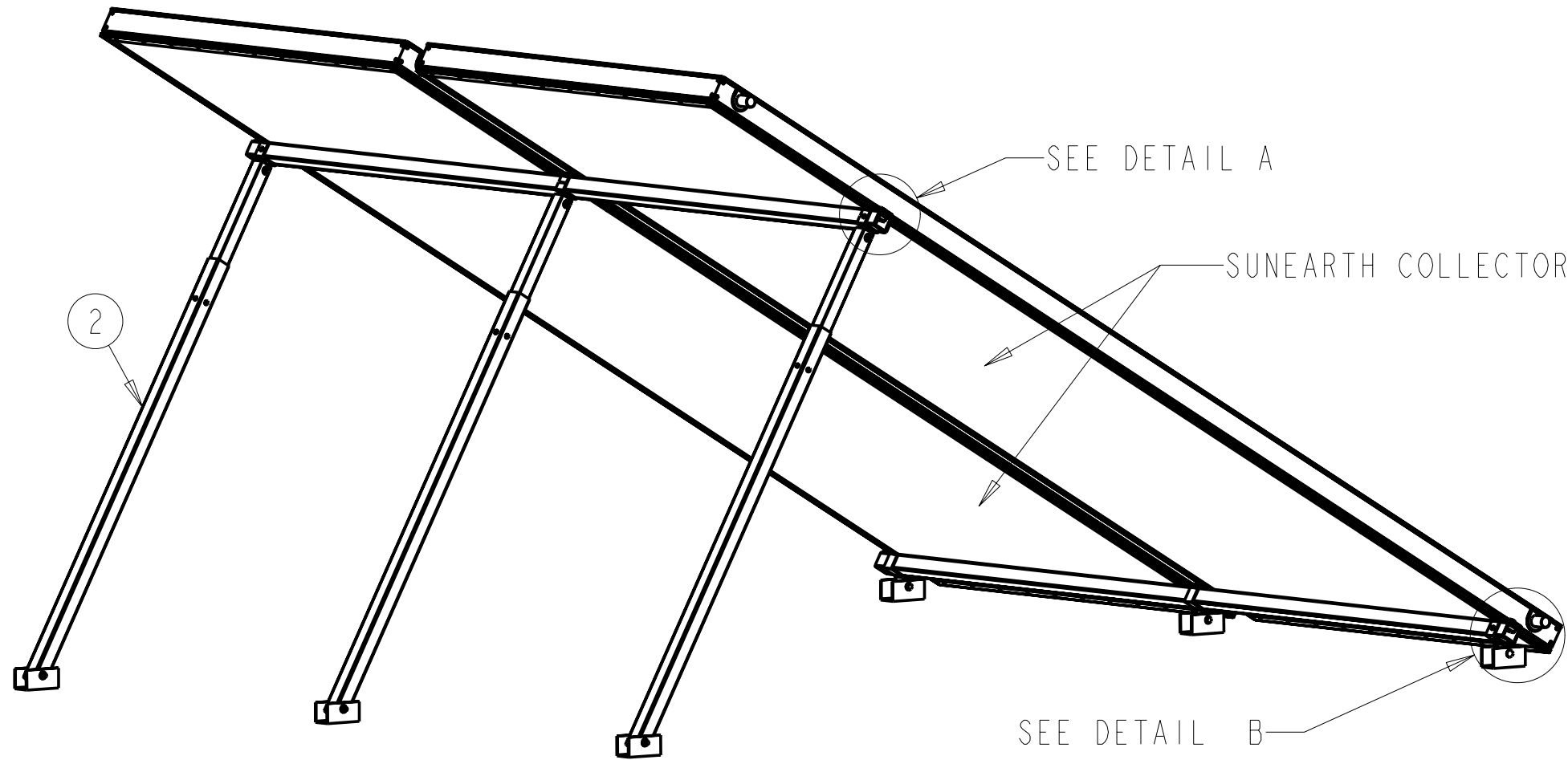


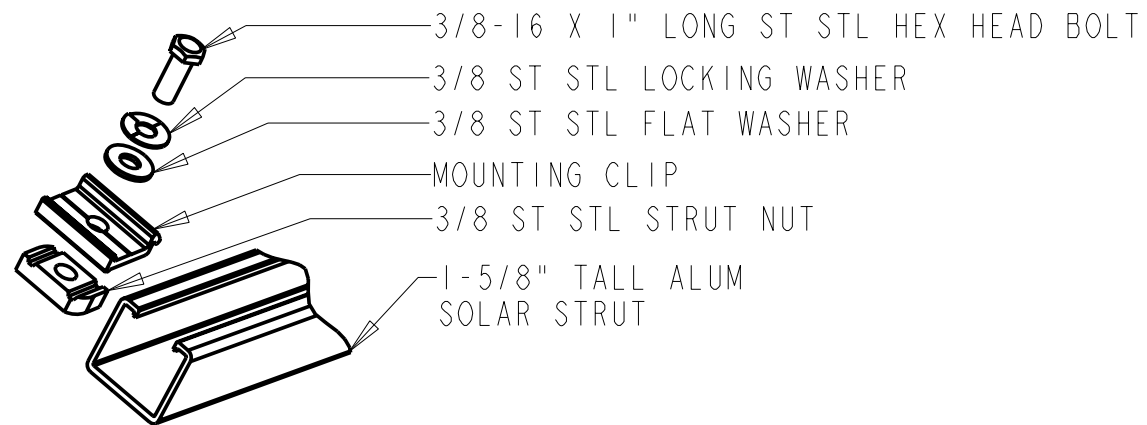
ITEM	PART NO.	DESCRIPTION
1	MTG-FF-	FIXED FRONT FOOT ASSEMBLY
2	MTG-RTL-	REAR TELESOPING LEG ASSEMBLY
3	1007-158-	1-5/8" SOLAR STRUT
4	C-SSN	STRUT NUT ASSEMBLY WITH CLIP



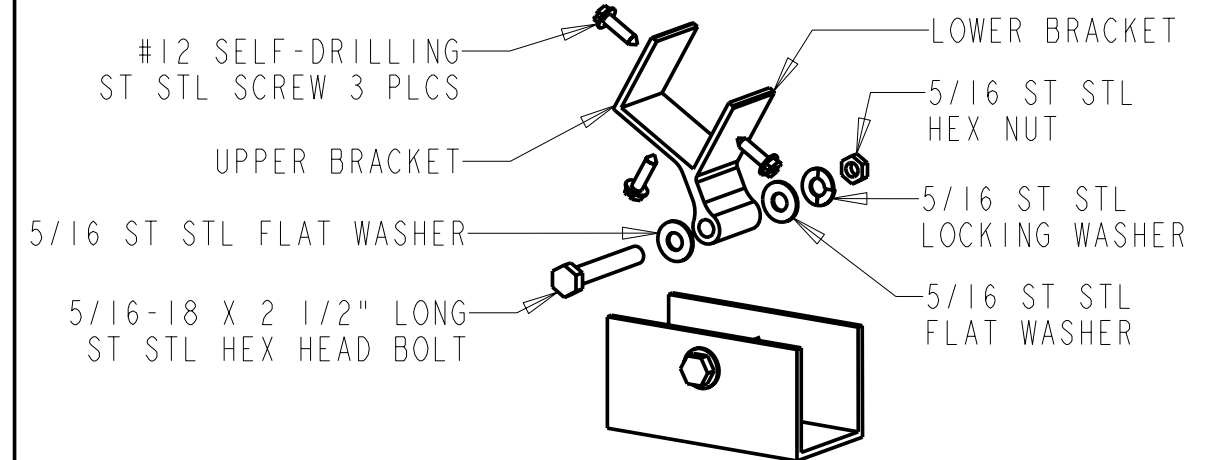
MAIN ASSEMBLY DRAWING

		SUNEARTH, INC.	
		8425 Almeria Ave., Fontana, CA 92335	
		NAME REXRACK - TWO COLLECTOR WITH FIXED FLUSH-MOUNT FRONT FEET	
DRAWN BY	BDW	REV	F
		PART NO	MATERIAL
		SHEET 1 OF 4	
		DATE 07-03-07	

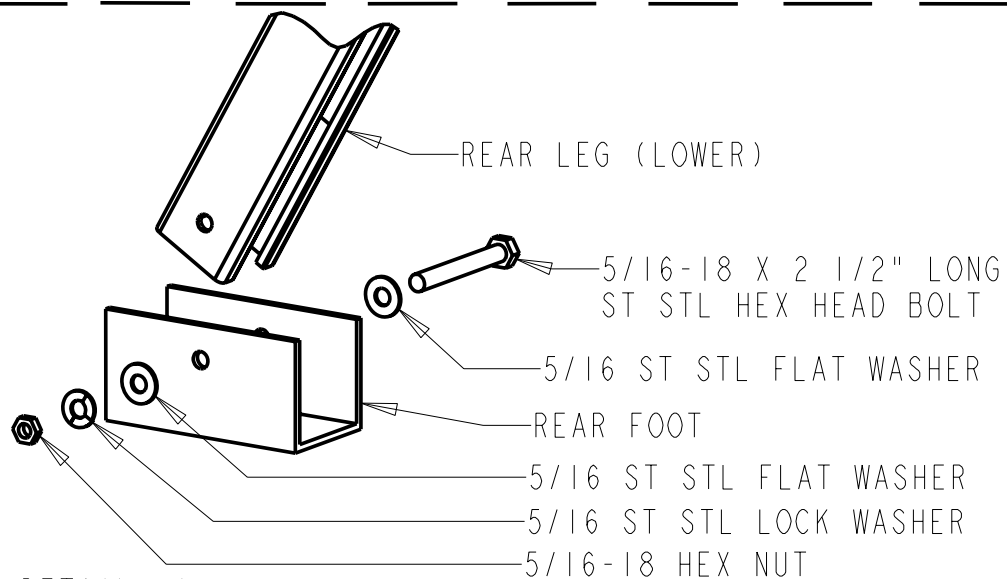
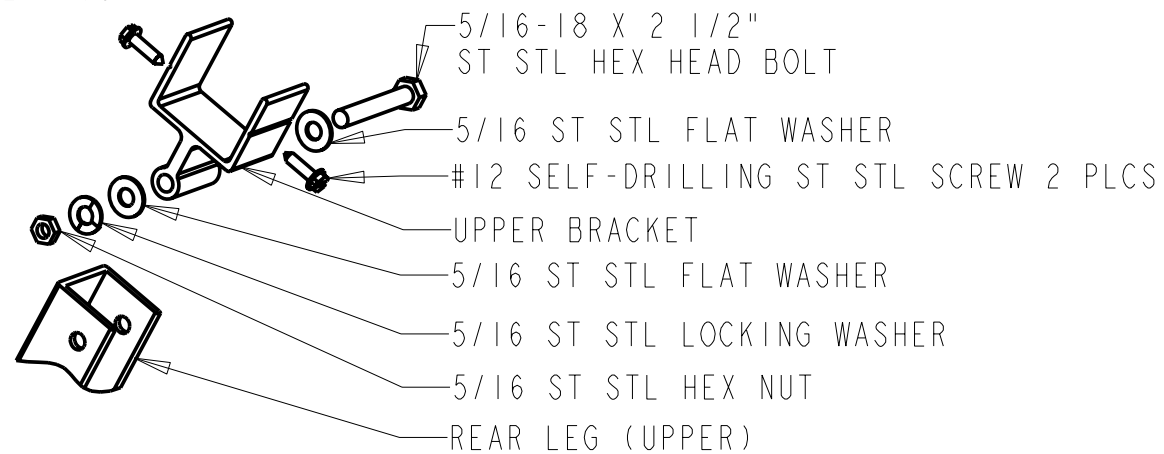
DETAIL 3  
C-SSN STRUT NUT ASSEMBLY WITH CLIP (SOLAR STRUT NOT INCULDED)  
SCALE 0.300



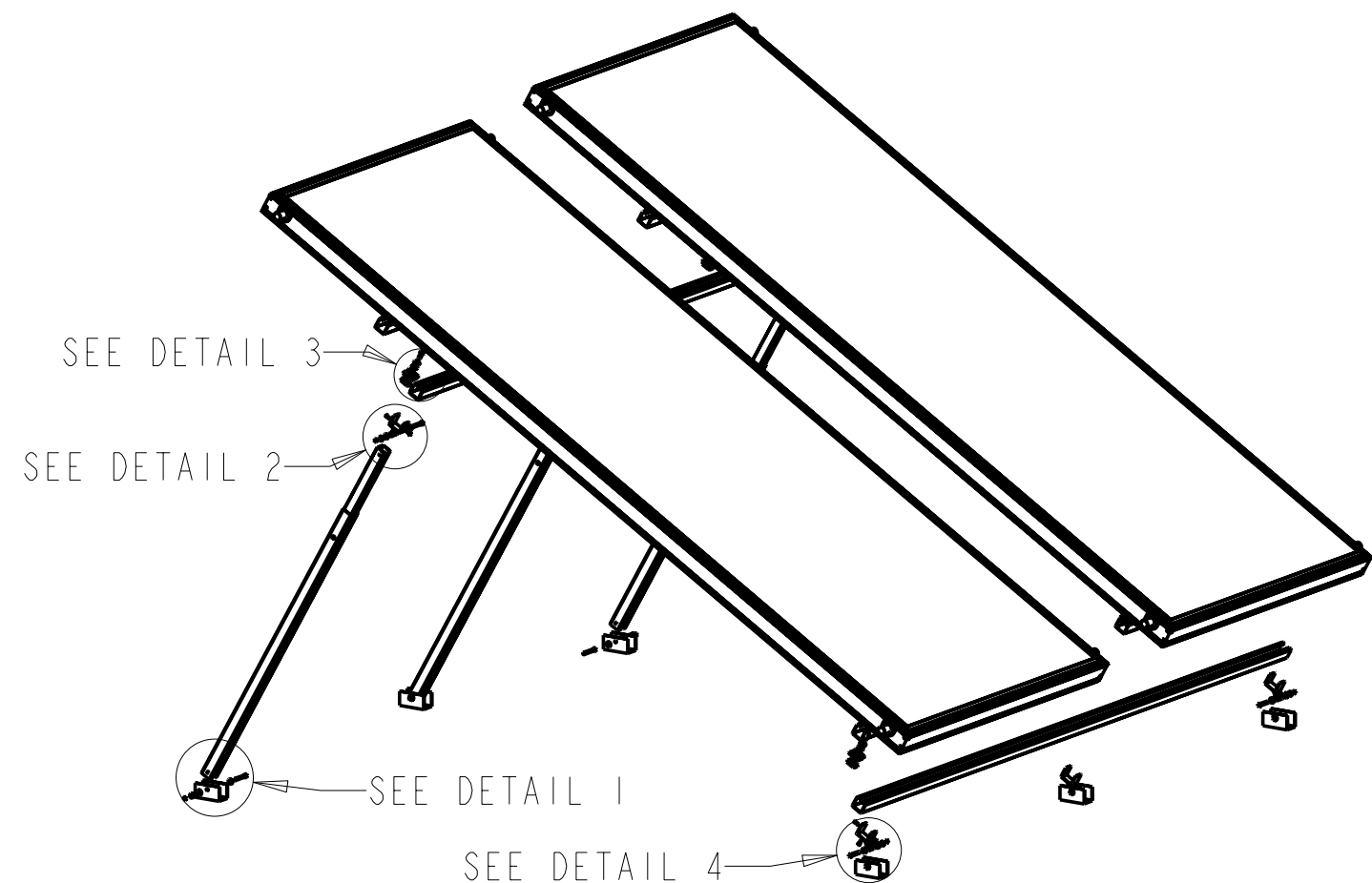
DETAIL 4  
MTG-FF-XXX FIXED FRONT FOOT ASSEMBLY  
SCALE 0.300



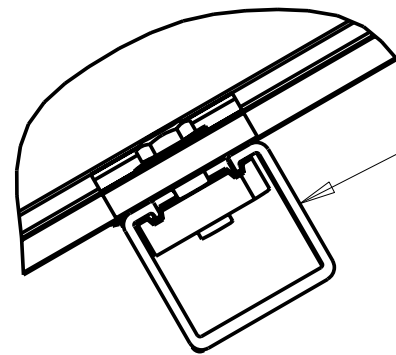
DETAIL 2  
MTG-RTL-XXX REAR TELESCOPING LEG ASSEMBLY (UPPER PORTION)  
SCALE 0.300



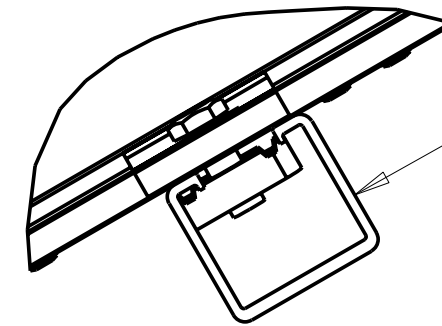
DETAIL 1  
MTG-RTL-XXX REAR TELESCOPING LEG ASSEMBLY (LOWER PORTION)  
SCALE 0.300



SUNEARTH, INC.			
8425 Almeria Ave., Fontana, CA 92335			
NAME REXRACK - TWO COLLECTOR WITH FIXED FLUSH-MOUNT FRONT FEET			
DRAWN BY	BDW	REV	F
PART NO		MATERIAL	
SHEET 2 OF 4		DATE 07-03-07	



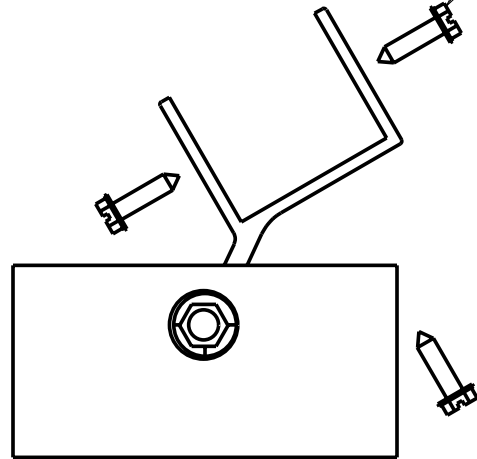
1-5/8" TALL  
SOLAR STRUT



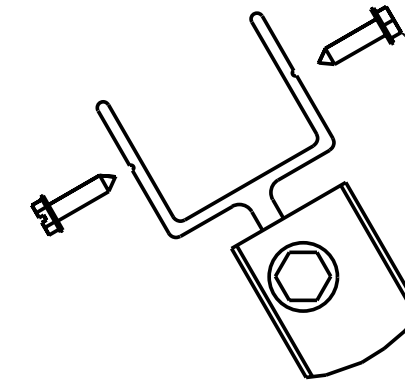
1-5/8" TALL  
SOLAR STRUT

USE 3 X #12  
ST STL  
SELF-DRILLING  
SCREWS

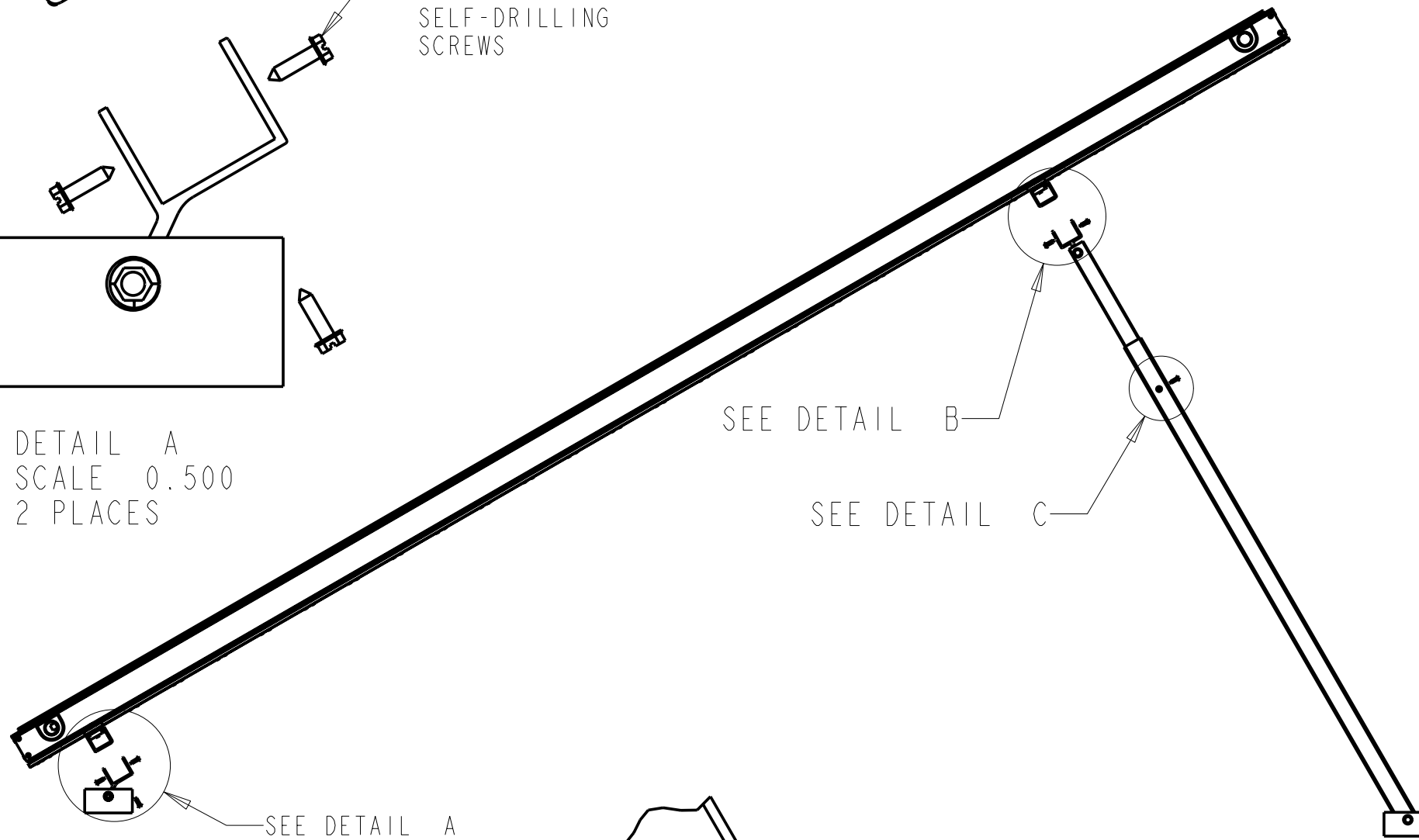
USE 2 X #12  
ST STL  
SELF-DRILLING  
SCREWS



DETAIL A  
SCALE 0.500  
2 PLACES



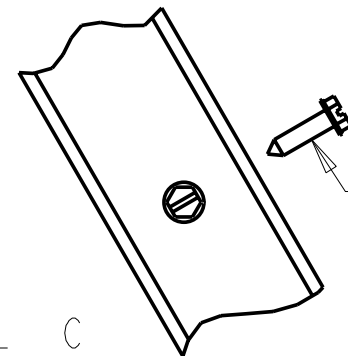
DETAIL B  
SCALE 0.500  
2 PLACES



SEE DETAIL B

SEE DETAIL C

SEE DETAIL A

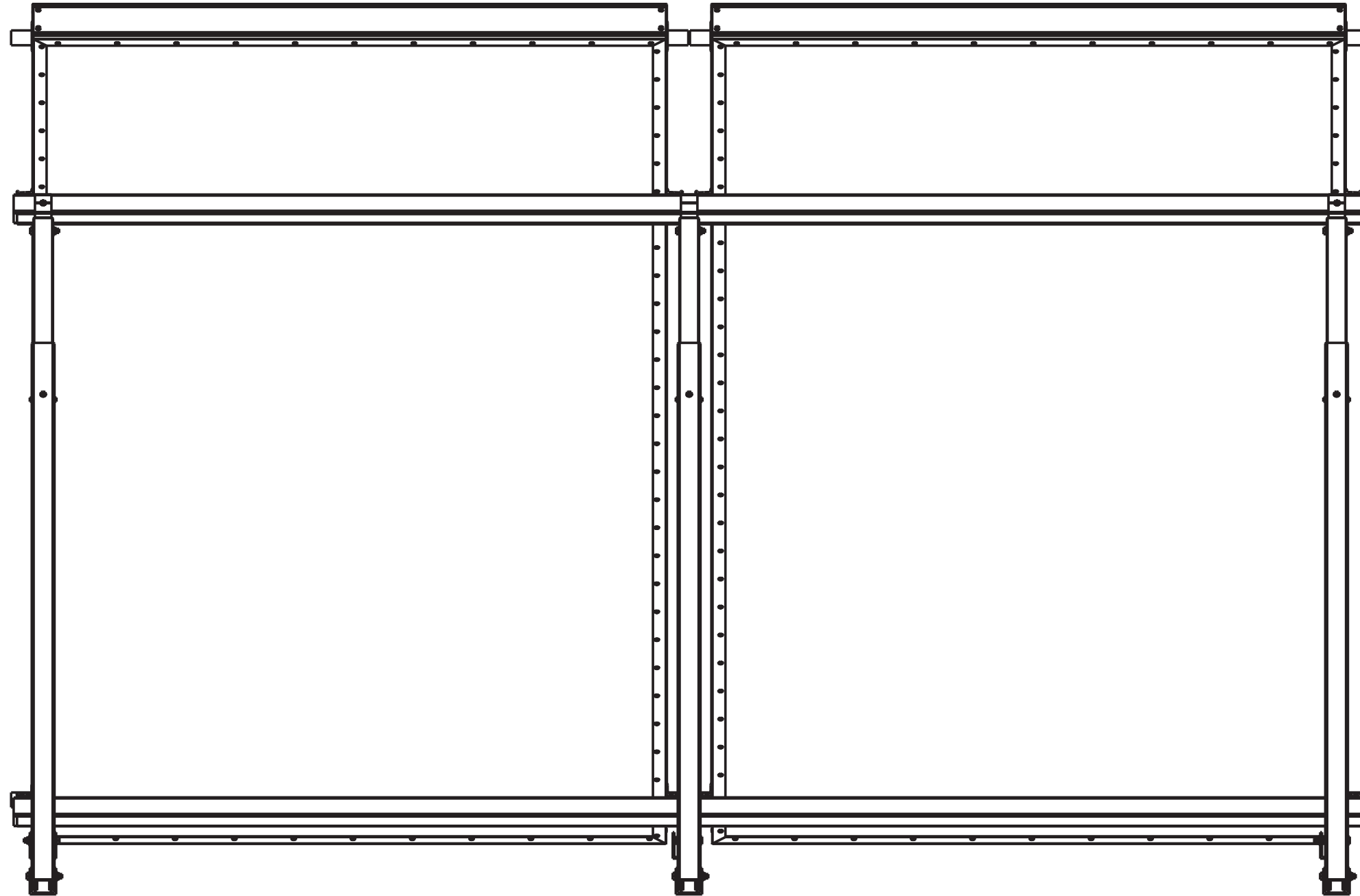


USE 3 X #12 ST STL  
SELF-DRILLING SCREWS

DETAIL C  
SCALE 0.500  
2 PLACES

SCREWS FOR FINAL ASSEMBLY

SUNEARTH, INC.			
8425 Almeria Ave., Fontana, CA 92335			
NAME REXRACK - TWO COLLECTOR WITH FIXED FLUSH-MOUNT FRONT FEET			
DRAWN BY BDW	REV F	PART NO	MATERIAL
SHEET 3 OF 4			DATE 07-03-07



		SUNEARTH, INC.		
		8425 Almeria Ave., Fontana, CA 92335		
		NAME	REXRACK - TWO COLLECTOR WITH FIXED FLUSH-MOUNT FRONT FEET	
DRAWN BY	BDW	REV	PART NO	MATERIAL
		F		
			SHEET 4 OF 4	DATE 07-03-07